



CHATSUBU™

[TECH SPECS / INSTALLATION GUIDELINES]

1. Before Installation

Chatsubu “Shou Sugi Ban” is heat treated to maximize the woods life, minimize required maintenance, is rot, bug and fire resistant. Installation is most critical to the longevity of Chatsubu. Clients are responsible for proper installation of all Crucible products by following warranty, guidelines, building codes and construction builds.

Client must install siding with proper moisture and vapor control. Openings must be properly sealed and flashed to prevent moisture buildup. Check with your local building codes for application.

Crucible's warranty does not cover water penetration due to un-proper installation. Crucible does not assume responsibility for water penetration or build up. If requirements are not followed, “Warranty” is void.

2. Approved and NOT approved installations

Chatsubu is approved for:

- Exterior siding, soffit, fascia, trim, doors
- Interior wall pannels and ceilings
- Doors
- Trim packages
- Cabinet Skins
- Beam wraps

Chatsubu is not approved for:

- Decking
- Floors
- Countertops
- Planters
- Stairs

3. Do's and Dont's:

Chatsubu TO DO:

- Order 15 -20 % more then you think you need. (Ordering more later will have set up fee)
- Acclimate on job site.
- Wear Propper PPE
- Handle with care
- Layout boards before install.
- Verticle install recommended with boards crown up.
- Follow propper fur and nail specs.
- Finish cut ends, rips and drill holes
- Wash lightly after install.

Chatsubu DO NOT DO:

- Leave bunked wood in direct sun or rain
- Install with direct contact on concrete
- Install wet wood
- Caulk nail holes

4. Acclimation / Storage

Acclimate Chatsubu on job site location for 2 weeks prior to installation. Store off ground and protect from direct sunlight, rain or snow. Inspect product before installation.

Touch up any damage to finished Chatsubu during installation using provided touchup finish.

Make sure all fur strips and substrate materials have a max of 15% moisture.

Must use furring strips. Recommend 2" - 4" widths.

5. Fur Strips + Screen Wall

Air Gap using fur strips between Water Resistant Barriers and siding must be used for the longevity of Chatsubu siding. Fur strips must be applied with a rain screen install.

If siding is directly applied to the WRB, it can trap moisture and cause mold, or rot on backside. It can also result in movement and premature weathering. Vented walls cool the structure in warm weather and heat during winter time.

Research your local building codes for fur strips and siding faster strength. We recommend the following for most applications.

- Nail at least 1 1/4" fastener into solid wood.
- Recommended 1/2" - 1 1/4" fur strip depending upon design of installation.
- Rain screen and venting can be open on top and bottom.

6. Recommended Fur Strip Materials (refer to drawings below for recommendations)

- stainless steel or aluminum fur strips
- (PT) pressure treated or Marine grade wood materials.
- Cedar, Redwood, Pine or fir. Construction grade Solid

Before installing your fur strips, use a level or string line over fur strips, shim as required to achieve flat surface area for siding.

Crucible [chatsubu] char grain exterior wood siding **IS NOT** made to only be installed over house wrap, breathable mesh, drainage or dimple wrap.

Use proper flashings at all intakes or exhaust.

Crucible assumes no responsibility for any damage arising from proper install.

If install over concrete / masonry of any type, a proper moisture break **MUST** be between chatsubu and materials.

Choose your desired layouts for siding before starting the full installation.

7. Exterior Fasteners

Chatsubu should always be face-nailed or screwed with exterior application and install. DO NOT use hidden clip systems on Chatsubu.

- 2 rim shank face nails or screws every 16" or less

- 3/4" - 1" from each side
- DO NOT staple, nail or screw edge of shiplap or tongue.
- Pre-drill at butt joints to prevent cracking or splitting.
- Recommend stainless steel nails or screws.
- Custom nails and screws with matching color available per siding request.

8. Flashing

Use proper flashing with water resistant backing. Use house wrap, proper tapes, z-flashing or any other recommended items required by local building codes to maintain the proper installation.

9. General Information

Use a brand new blade (recommend carbide tip finishing blade) for cutting and ripping all your Chatsubu.

Wear OSHA approved PPE protection.

Double check all structures and surface areas to make sure they are straight, plumb level, solid and dry.

Start installation on backside to get used to the siding and how to properly install. Finish in the most high visible areas last.

Create a system with levels or lines to create straight and clean nail lines. (General rule is nail ends and centers then go back at end to get clean lines.

Touch up all cut ends with supplied finish.

Alligator Skin or Crocodile skin finish can be damaged if not properly handled. Handle this material with caution and plan to touch up any damage at end of project. Blemishes will happen during install.

Exterior walls can be lightly hosed down after install to clean. DO NOT high pressure wash material. If larger dirty areas occur, wipe down with wet rag before hosing.

10. Interior Installation

Interior install does not require fur strips. Chatsubu can be installed similar to any interior wood finish. Generally glued, pin or trim nailed in place with standard nails.

11. Ground, Roof, Trim and Flashing Clearances

Recommendation of 10" minimum must be maintained between ground and siding. If install goes to ground. All warranty is void.

Recommendation of 2" clearance from siding and roofing or any other horizontal areas.

1/4" clearance between any siding w/ flashing or trim for water breaks.

12. Touch up Finishes

Use a small roller, brush or rag to any damages that occur during installation.

We provide plenty of touch up material that is included in price of material.

If you choose to spray or roll, use a back brush or rag.

Keep your touch up finish for future touch ups.

Maintenance and Care

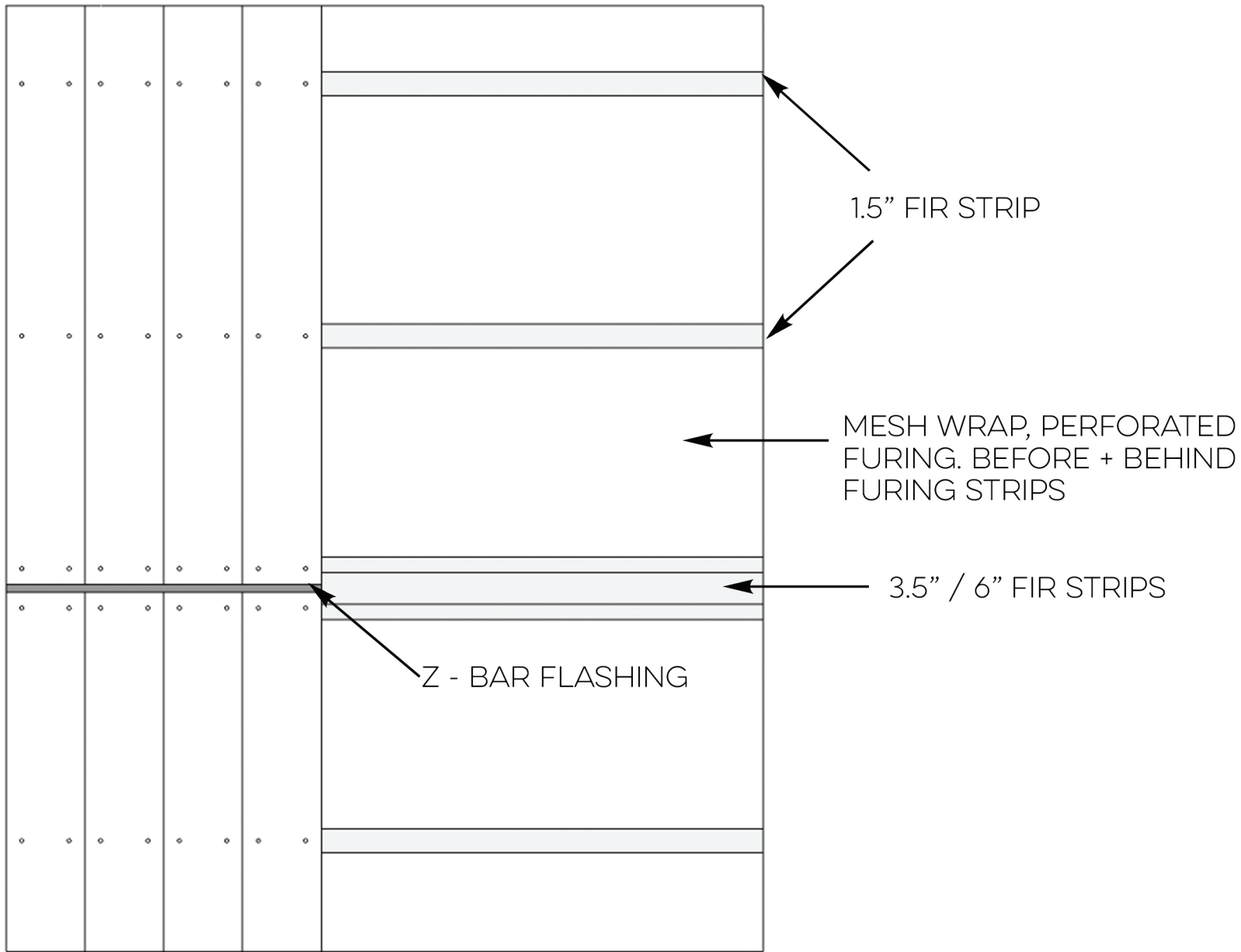
Chatsubu is a heat treated finish which improves durability, but even with UV coatings applied, the color will patina over time in natural weather. This process is considered a beauty in ancient ways, but if clients do not desire the change in patina over time, we recommend re-finishing over time. Refer to our full Maintenance schedule for the timeframes to this, but it can be done at any time to bring the natural look back.

If you see the wood start to patina over time, by adding a re-finish, will bring back natural look.

Always clean and do a sample in hidden area before full re-finish

You can use a hammer or rubber mallet if nails come loose over time.

You can lightly hose down and wipe chatsubu if dirt and blemishes occur over time.



[CHATSUBU] CHAR GRAIN SIDING SUGGESTIONS

- FURRING AND RIM SHANK FACE NAILS REQUIRED FOR ALL EXTERIOR APPLICATIONS
- THESE DRAWINGS ARE NOT FOR FINAL CONSTRUCTION. CRUCIBLE TAKES NO RESPONSIBILITY FOR FINAL DESIGN OR INSTALL ON CUSTOMER PROJECTS. DRAWINGS REPRESENT EXAMPLE LAYOUTS ONLY.
- CRUCIBLE RECOMMENDS HAVING CERTIFIED INSTALLER TO INSTALL ALL CHATSUBU.



CHATSUBU

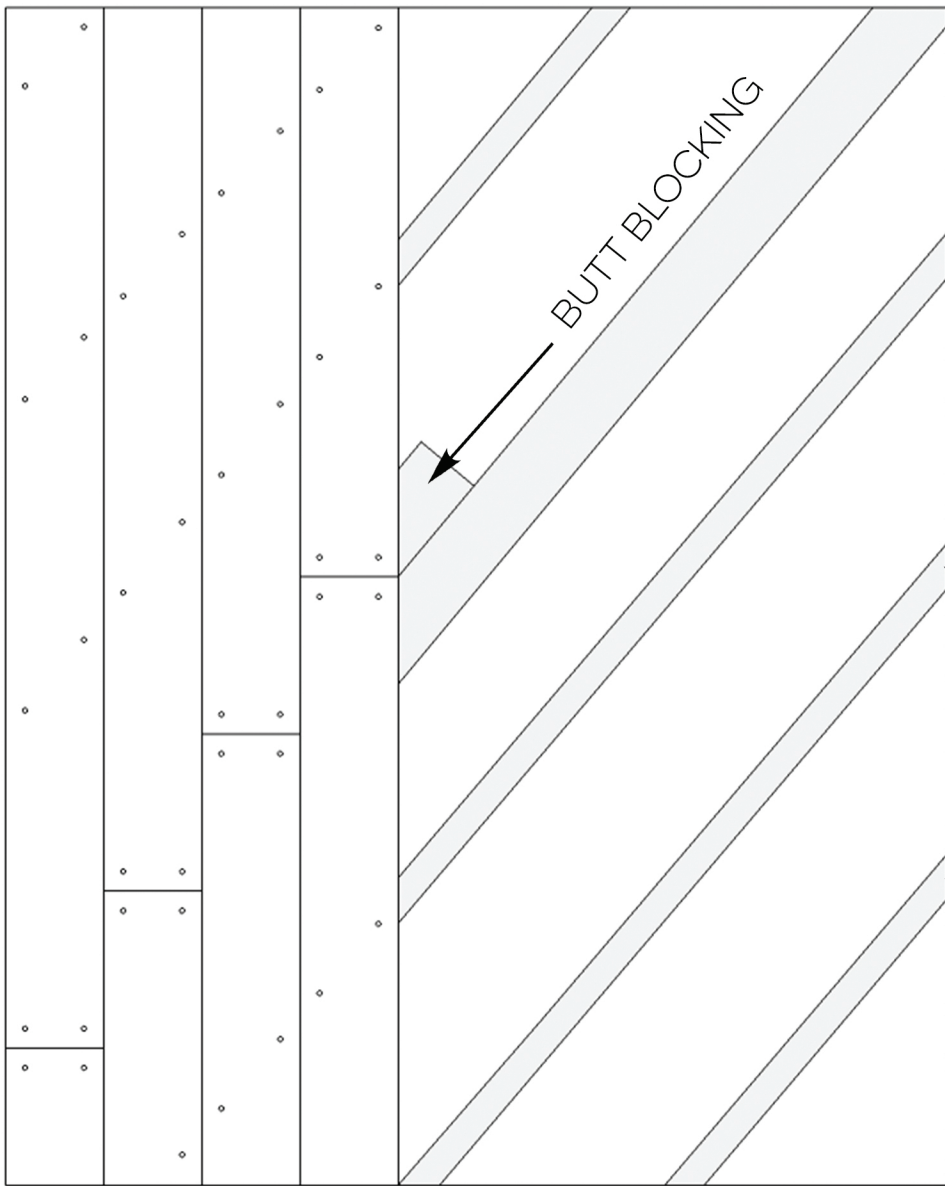
NOT FOR CONSTRUCTION USE. EXAMPLE ONLY



CRUCIBLE
UNITED BY DESIGN

INFO@CRUCIBLE.COOP
406.414.0343

100 CONTRACTOR DR
BOZEMAN, MT 59718



3.5" / 6" FIR STRIPS

BUTT BLOCKING

1.5" - 3" DIAGONAL FIR STRIP
- VENTED TOP +
BOTTOM

[CHATSUBU] CHAR GRAIN SIDING SUGGESTIONS

- FURRING AND RIM SHANK FACE NAILS REQUIRED FOR ALL EXTERIOR APPLICATIONS
- THESE DRAWINGS ARE NOT FOR FINAL CONSTRUCTION. CRUCIBLE TAKES NO RESPONSIBILITY FOR FINAL DESIGN OR INSTALL ON CUSTOMER PROJECTS. DRAWINGS REPRESENT EXAMPLE LAYOUTS ONLY.
- CRUCIBLE RECOMMENDS HAVING CERTIFIED INSTALLER TO INSTALL ALL CHATSUBU.



CHATSUBU

NOT FOR CONSTRUCTION USE. EXAMPLE ONLY

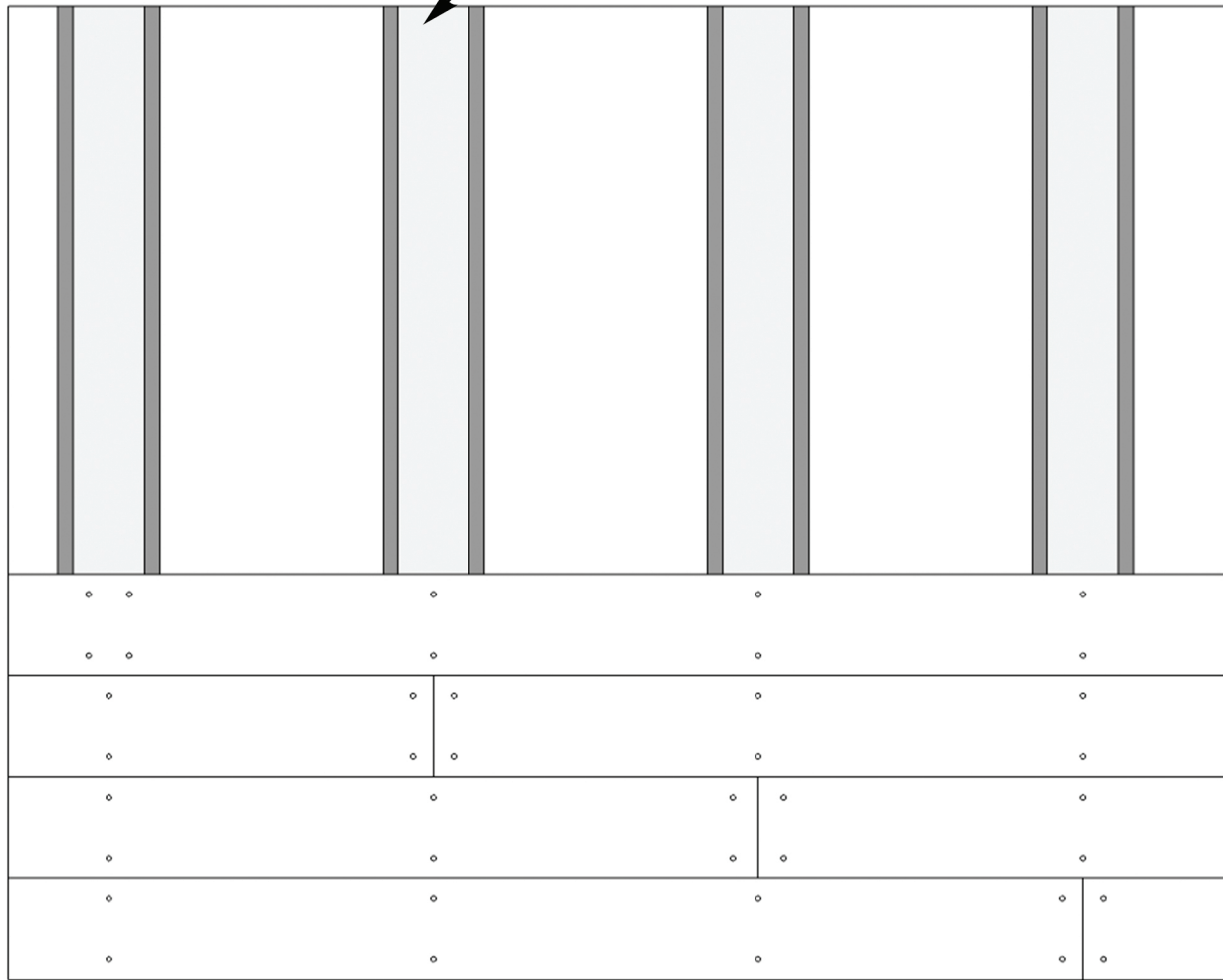


CRUCIBLE
UNITED BY DESIGN

INFO@CRUCIBLE.COOP
406.414.0343

100 CONTRACTOR DR
BOZEMAN, MT 59718

3" - 6" FIR STRIP



VERTICAL FURRING W/ STAGGERED BUTTS
 - 3" IF PRE-DRILLED BUTTS
 - 6" IF NO PRE-DRILL

[CHATSUBU] CHAR GRAIN SIDING SUGGESTIONS

- FURRING AND RIM SHANK FACE NAILS REQUIRED FOR ALL EXTERIOR APPLICATIONS
- THESE DRAWINGS ARE NOT FOR FINAL CONSTRUCTION. CRUCIBLE TAKES NO RESPONSIBILITY FOR FINAL DESIGN OR INSTALL ON CUSTOMER PROJECTS. DRAWINGS REPRESENT EXAMPLE LAYOUTS ONLY.
- CRUCIBLE RECOMMENDS HAVING CERTIFIED INSTALLER TO INSTALL ALL CHATSUBU.



CHATSUBU

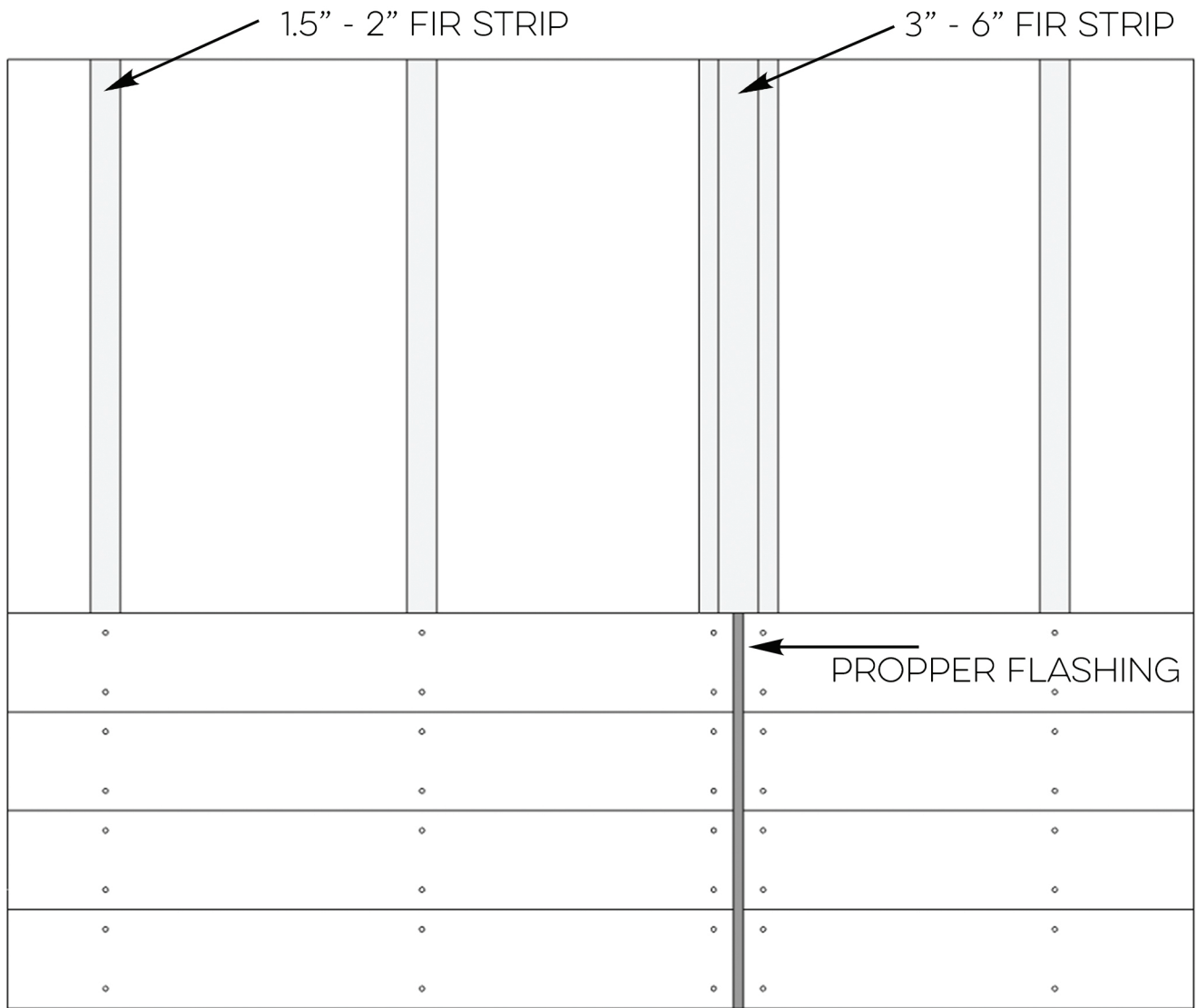
NOT FOR CONSTRUCTION USE. EXAMPLE ONLY



CRUCIBLE
 UNITED BY DESIGN

INFO@CRUCIBLE.COOP
 406.414.0343

100 CONTRACTOR DR
 BOZEMAN, MT 59718



VERTICAL FURRING W/ CENTER BUTTS
 - 3" IF PRE-DRILLED BUTTS
 - 6" IF NO PRE-DRILL

[CHATSUBU] CHAR GRAIN SIDING SUGGESTIONS

- FURRING AND RIM SHANK FACE NAILS REQUIRED FOR ALL EXTERIOR APPLICATIONS
- THESE DRAWINGS ARE NOT FOR FINAL CONSTRUCTION. CRUCIBLE TAKES NO RESPONSIBILITY FOR FINAL DESIGN OR INSTALL ON CUSTOMER PROJECTS. DRAWINGS REPRESENT EXAMPLE LAYOUTS ONLY.
- CRUCIBLE RECOMMENDS HAVING CERTIFIED INSTALLER TO INSTALL ALL CHATSUBU.



CHATSUBU

NOT FOR CONSTRUCTION USE. EXAMPLE ONLY



CRUCIBLE
 UNITED BY DESIGN

INFO@CRUCIBLE.COOP
 406.414.0343

100 CONTRACTOR DR
 BOZEMAN, MT 59718